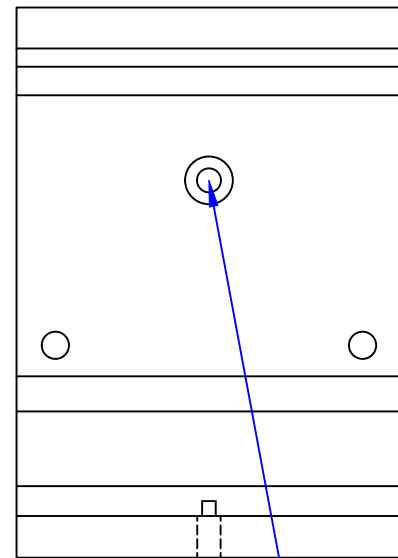
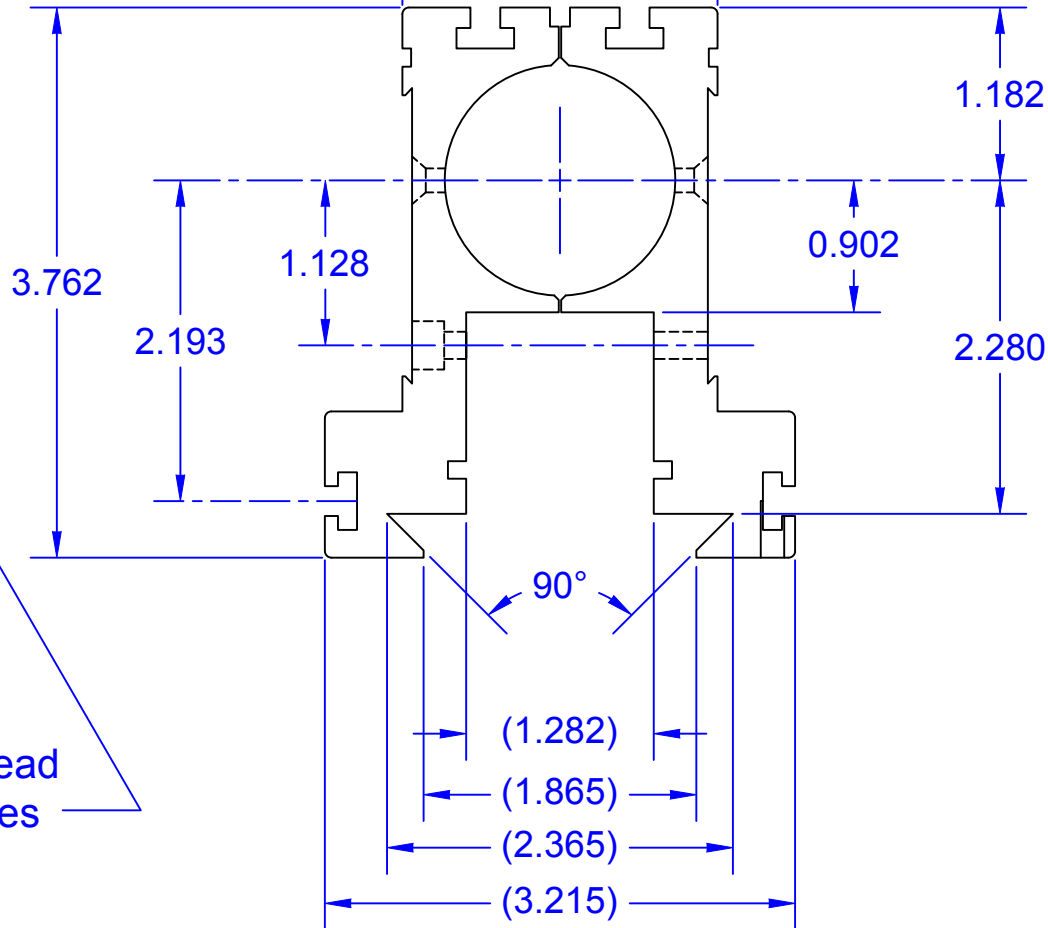
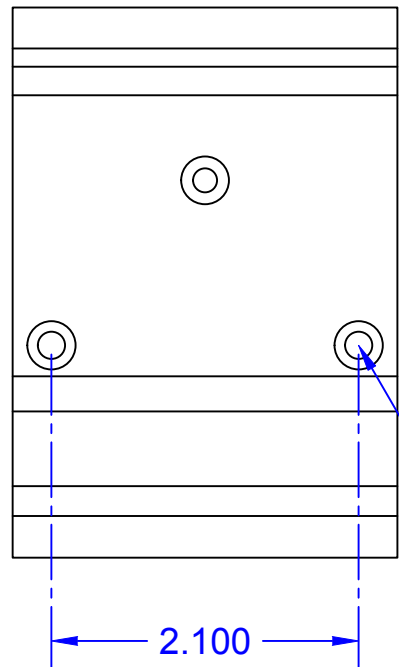
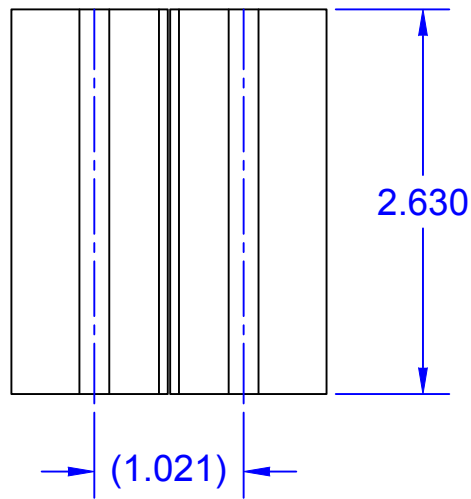


This document/file is placed in the **PUBLIC DOMAIN**. The author assumes no liability for the accuracy, fitness or application of the information or design herein.

Lewis Balentine, Houston, Texas, 24 January 2020

Unless otherwise noted all dimensions are in inches.



#8 Hex Socket Head
Countersunk Screw
Both Sides

#10 Hex Socket Head
Cap Screw, 2 Places